

## Technical Specifications

# 12000 SERIES - SILVER BULLET REMOTE CONTROL VALVE

### FEATURES

- 100% water tested
- 150 psi (10,3 bar) rating
- Unique “reverse flow” porting design permits equal pressure distribution on both sides of the diaphragm, regardless of line pressure providing zero stress to prevent “stretching,” a common cause of valve failure
- Normally closed valve for water conservation
- Diaphragm’s self cleaning ports constantly flex, inhibiting sand and silt from blocking valve action
- Molded shock cone for smooth operation and reduction of water hammer
- Easy-to-use internal manual bleed lever; bleeds valve downstream; has stops for open and closed positions
- High efficiency S20P solenoid with stainless steel actuator
- High-strength glass-filled body and cover with 1/4 in. stainless steel cover bolts and mating brass body inserts
- Non-rising flow control stem throttles valve from full open to closed position on flow control models

### ELECTRICAL

- Wiring requires a single lead from the controller to each solenoid, plus a common neutral to all solenoids; type UF wire, U.L. listed, is recommended for all hookups

<u>24VAC/60</u>	<u>Hz</u>	<u>24VAC/50 Hz</u>
Inrush: 9.48 VA		Inrush: 10.66 VA
Holding: 5.11 VA		Holding: 5.99 VA

- Do not use nominal voltage ratings listed above for sizing of valve

### MODELS

- 12024E-10-H (1in.FIP)\*
  - 12024EF-10-H ( 1in. FIP with flow Control)
  - 12024EF-15-H
  - 12024EF-20-H
- \*International: Specify ISO*



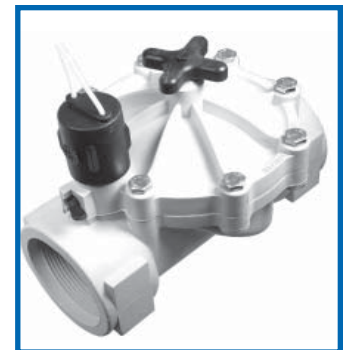
12024E-10-H



12024EF-10-H



12024E-15-H



12024EF-20-H



## Technical Specifications

# 12000 SERIES - SILVER BULLET REMOTE CONTROL VALVE

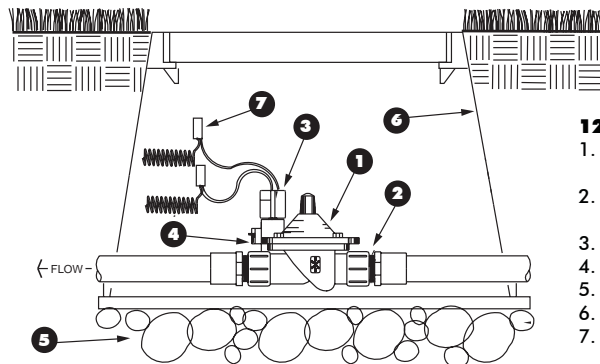
Remote control valve shall be No. 12024E (without flow control) or No. 12024EF (with flow control) Silver Bullet series Valves as manufactured by Weathermatic Sprinkler Division of Telsco Industries, or approved equal, with hand operated manual internal bleed. Valve shall be solenoid operated, diaphragm, reverse flow type, with 150 psi CWP rating, having NPT threads (optional ISO) and suitable for underground burial without protection.

**CONSTRUCTION:** Valve shall have glass filled, high strength plastic body and cover with stainless steel spring. Cover shall be secured to body with stainless steel cover bolts having mating brass body inserts. Diaphragm shall be chlorine resistant, and shall utilize a conical base to reduce water hammer. Design shall be reverse flow causing automatic closure in event of diaphragm wall failure. Valve shall be packless, without sliding seals, and completely serviceable without removing body from pipeline. Design shall be "normally closed" requiring solenoid to be energized to open valve, thereby causing automatic closure in event of power failure. Solenoid shall comply with Class II National Electric Code and when operating require a maximum of (5.11 VA) at 24 volts ac. Solenoid shall be integrally mounted in valve cover and encapsulated in molded-resin to form a corrosion and moisture-proof unit with exposed metal components of non-corrosive material.

**OPERATION:** Solenoid shall be energized to open the valve hydraulically and de-energized to close. Pressure to the hydraulic chamber shall be supplied internally through non-metallic, corrosion-free orifices in the diaphragm causing a cleansing action of the orifices. Contamination resistance shall be provided without the use of screens, filters or strainers. In event of tear in diaphragm wall valve shall remain in the closed position. Minimum flow range shall be no greater than 1 GPH.

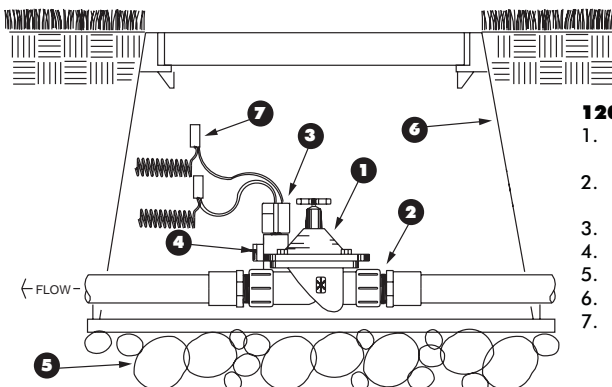
**WARRANTY:** The valve shall have a manufacturer's over the counter exchange warranty of not less than two (2) years.

1. ISO is an option
2. Material is listed; all other diaphragms are listed as Chlorine/Chloramine resistant, molded material.



### 12000E SERIES VALVE

1. WEATHERMATIC 12000E SERIES REMOTE CONTROL VALVE
2. INSTALL THREADS MALE ADAPTER WITH TEFLON TAPE/TYP.
3. SOLENOID
4. MANUAL BLEED LEVER
5. 3/4 INCH GRAVEL SUPPORTER
6. RECTANGULAR VALVE BOX
7. EXPANSION COIL & WATERPROOF CONNECTOR



### 12000EF SERIES VALVE

1. WEATHERMATIC 12000EF SERIES REMOTE CONTROL VALVE
2. INSTALL THREADS MALE ADAPTER WITH TEFLON TAPE/TYP.
3. SOLENOID
4. MANUAL BLEED LEVER
5. 3/4 INCH GRAVEL SUPPORTER
6. RECTANGULAR VALVE BOX
7. EXPANSION COIL & WATERPROOF CONNECTOR

