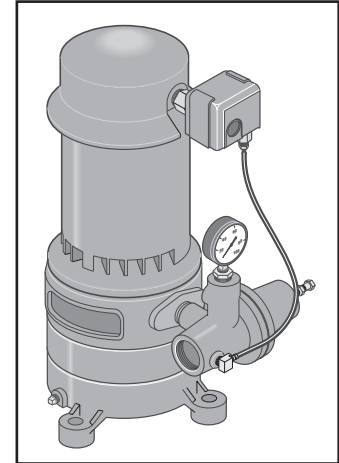
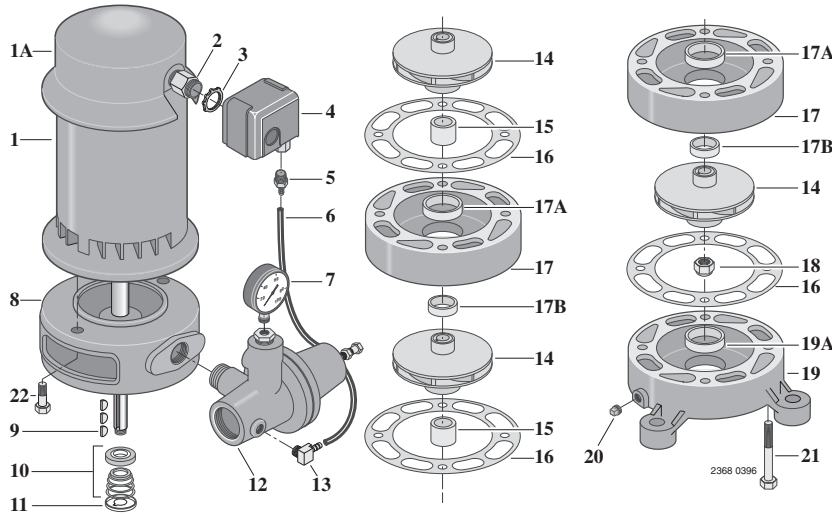


multi-stage deep well jet pumps

MS series

1/2 thru 2 HP



Key No.	Part Description	No. Used	MSC-6 1/2 HP	MSD-6 3/4 HP	MSE-6 1 HP	MSF-6 1-1/2 HP	MSG-6 2 HP
1	Motor, 60 Cycle - 115/230V	1	A300CH	A300DH	A300EH	-	-
1	Motor, 60 Cycle - 230V	1	-	-	-	A300FH	A300GH
1A	Motor Canopy	1	U18-1300	U18-1300	U18-1300	U18-1355	U18-1355
2	Connector, Pressure Switch	1	J43-13C	J43-13C	J43-13C	J43-13C	J43-13C
3	Locknut, 1/2"	1	U36-112ZP	U36-112ZP	U36-112ZP	U36-112ZP	U36-112ZP
4	Pressure Switch	1	U217-1216	U217-1216	U217-1216	U217-204E	U217-204E
5	Barbed Fitting, Straight	1	U111-211T	U111-211T	U111-211T	U111-211T	U111-211T
6	Tube, Pressure Switch, 1/4"	1	U37-672P	U37-672P	U37-672P	U37-672P	U37-672P
7	Pressure Gauge	1	U239-3	U239-3	U239-3	U239-8	U239-8
8	Adapter	1	L2-16	L2-16	L2-16	L2-16	L2-16
9	Key, Woodruff §#	-	U65-15SS(2)	U65-15SS(2)	U65-15SS(2)	U65-15SS(3)	U65-15SS(3)
10	Shaft Seal §#	1	U109-99	U109-99	U109-99	U109-99	U109-99
11	Spring Holder §#	1	J24-11	J24-11	J24-11	J24-11	J24-11
12	Pressure Regulator Valve	1	J212-24E	J212-24E	J212-24E	J212-24E	J212-24E
13	Barbed Fitting, 90° Elbow	1	U111-212T	U111-212T	U111-212T	U111-212T	U111-212T
14	Impeller #	1	J105-75PA(2)	J105-75P(2)	J105-76P(2)	J105-74PA(3)	J105-74P(3)
15	Spacer, Impeller	-	J43-23(1)	J43-23(1)	J43-23(1)	J43-23(2)	J43-23(2)
16	Gasket §#	-	J20-11(2)	J20-11(2)	J20-11(2)	J20-11(3)	J20-11(3)
17	Volute, Intermediate Assembly	-	J101-26(1)	J101-26(1)	J101-26(1)	J101-26(2)	J101-26(2)
17A	Wear Ring #	-	J23-10(1)	J23-10(1)	J23-10(1)	J23-10(2)	J23-10(2)
17B	Wear Ring	-	J23-11(1)	J23-11(1)	J23-11(1)	J23-11(2)	J23-11(2)
18	Stop Nut, 1/2 - 20	1	U36-175D	U36-175D	U36-175D	U36-175D	U36-175D
19	Base Volute Assembly	1	J101-33	J101-33	J101-33	J101-33	J101-33
19A	Wear Ring	1	J23-10	J23-10	J23-10	J23-10	J23-10
20	Pipe Plug, 1/4" NPT	1	U78-941ZPV	U78-941ZPV	U78-941ZPV	U78-941ZPV	U78-941ZPV
21	Hex Capscrew, 3/8 - 16	4	U30-82ZP	U30-82ZP	U30-82ZP	U30-81ZP	U30-81ZP
22	Hex Capscrew, 3/8 - 16 x 1-1/8" Lg.	2	U30-861ZP	U30-861ZP	U30-861ZP	U30-861ZP	U30-861ZP

§ Included in Seal and Gasket Kit.

Included in Overhaul Kit.

SERVICE KITS

§ Seal and Gasket Kit	PP1650	PP1650	PP1650	PP1650	PP1650
# Overhaul Kit	PP1655	PP1656	PP1657	PP1658	PP1659