

# General Purpose Centrifugal Pumps



*The J/JB Series Pumps have a heavy-duty cast iron construction and are offered in high and medium head models, with Noryl® or silicon bronze impeller.*

### APPLICATIONS

- Water systems and sprinkling... for homes, farms and industry.

### SPECIFICATIONS

- Body and Seal Plate** – Close-grained cast iron
- Base** – Steel 12 gauge
- Impeller – J Series** – Noryl
- Impeller – JB Series** – Silicon bronze
- Shaft** – 416 stainless steel
- Mechanical Seal** – Carbon/ceramic, Buna-N

### FEATURES

- 1/3 through 2-1/2 HP** – High head and medium head models, with heavy-duty motors, easy service design and four-position discharge.
- Drain Port** – Provided for easy winterizing.
- Medium Head Models** – Deliver up to 110' of head with capacities to 140 GPM.
- High Head Models** – Deliver up to 140' of head with capacities to 90 GPM.
- Easy Serviceability** – All models include replaceable wear ring and feature back pull-out design.
- J Series with Noryl Impellers** – Abrasion-resistant for normal applications with working temperatures to 140°F.
- JB Series with Silicon Bronze** – JB pumps equipped with shaft seals rated for temperatures to 225°F.

### ORDERING INFORMATION

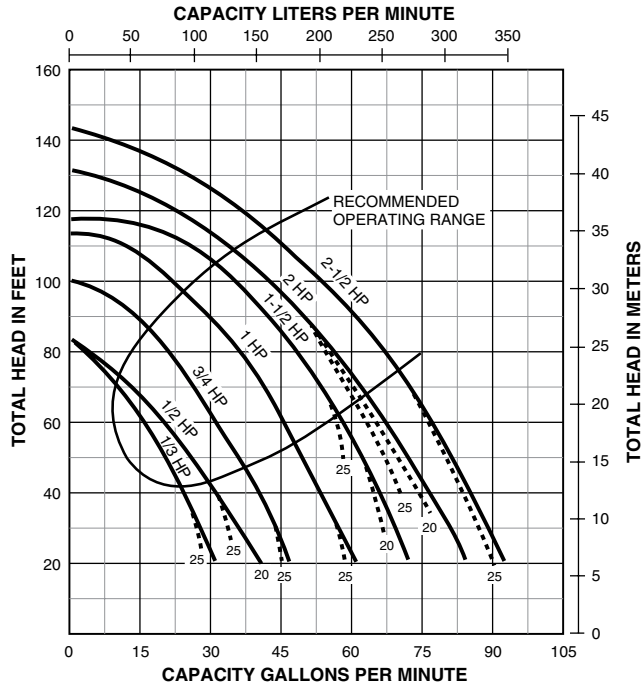
HIGH HEAD								MEDIUM HEAD							
Catalog Number		HP	Pipe Tapping Sizes		Motor Voltage	Phase	Approx. Wt. Lbs.	Catalog Number		HP	Pipe Tapping Sizes		Motor Voltage	Phase	Approx. Wt. Lbs.
Noryl® Impeller	Silicon Bronze Impeller		Suct.	Disch.				Noryl® Impeller	Silicon Bronze Impeller		Suct.	Disch.			
JHB	JBHB	1/3	1-1/4"	1"	115	1	38	JMB	JBMB	1/3	1-1/4"	1"	115	1	38
JHC	JBHC	1/2	1-1/4"	1"	115/230	1	39	JMC	JBMC	1/2	1-1/4"	1"	115/230	1	39
JHC3	JBHC3		1-1/4"	1"	208-230/460	3	39	JMC3	JBMC3		1-1/4"	1"	208-230/460	3	39
JHD	JBHD	3/4	1-1/4"	1"	115/230	1	42	JMD	JBMD	3/4	1-1/4"	1"	115/230	1	42
JHD3	JBHD3		1-1/4"	1"	208-230/460	3	42	JMD3	JBMD3		1-1/4"	1"	208-230/460	3	42
JHE	JBHE	1	1-1/4"	1"	115/230	1	45	JME	JBME	1	1-1/2"	1-1/4"	115/230	1	43
JHE3	JBHE3		1-1/4"	1"	208-230/460	3	45	JME3	JBME3		1-1/2"	1-1/4"	208-230/460	3	43
JHF	JBHF	1-1/2	1-1/4"	1"	115/230	1	49	JMF	JBMF	1-1/2	1-1/2"	1-1/4"	115/230	1	54
JHF3	JBHF3		1-1/4"	1"	208-230/460	3	49	JMF3	JBMF3		1-1/2"	1-1/4"	208-230/460	3	54
JHG	JBHG	2	1-1/2"	1-1/4"	115/230	1	69	JMG	JBMG	2	1-1/2"	1-1/4"	115/230	1	66
JHG3	JBHG3		1-1/2"	1-1/4"	208-230/460	3	69	JMG3	JBMG3		1-1/2"	1-1/4"	208-230/460	3	66
JHHG	JBHHG	2-1/2	2"	1-1/2"	115/230	1	74	—	JBMMG	2-1/2	2"	1-1/2"	115/230	1	74
JHHG3	JBHHG3		2"	1-1/2"	208-230/460	3	74	—	JBMMG3		2"	1-1/2"	208-230/460	3	74

Noryl® is a registered trademark of General Electric Co. PRO-Source™ is a trademark of Pentair Water. In order to provide the best products possible, specifications are subject to change.

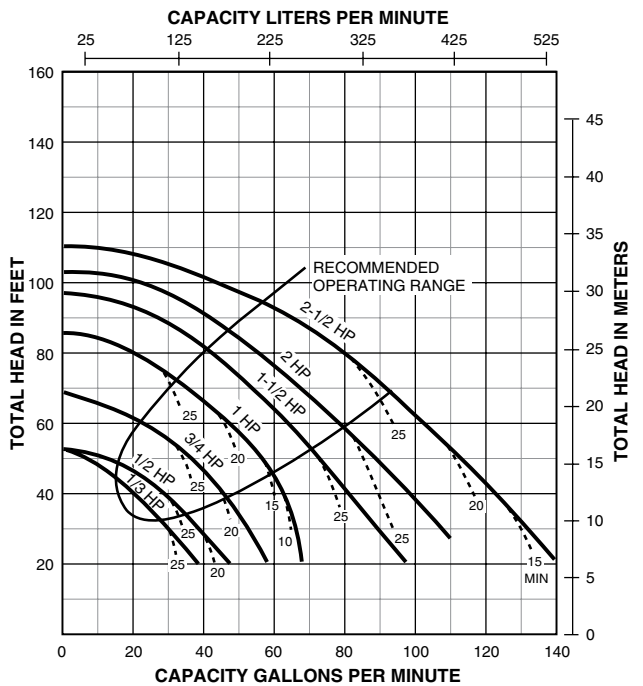
# General Purpose Centrifugal Pumps

## PUMP PERFORMANCE

### High Head



### Medium Head



## PUMP PERFORMANCE (Capacity in Gallons Per Minute)

HIGH HEAD							
HP	Discharge Pressure		Dynamic Suction Lift				
	PSI	Feet Head	5'	10'	15'	20'	25'
1/3	10	23.1	—	26	24	22	20
	20	46.2	20	18	15	11	10
	30	69.3	6	—	—	—	—
1/2	10	23.1	—	34	32	29	26
	20	46.2	25	21	18	15	11
	30	69.3	10	—	—	—	—
3/4	10	23.1	—	—	42	39	37
	20	46.2	35	32	30	28	26
	30	69.3	24	22	19	15	10
1	20	46.2	48	46	45	43	40
	30	69.3	38	35	31	28	25
	40	92.4	23	20	15	—	—
1-1/2	20	46.2	62	60	58	55	52
	30	69.3	50	48	44	40	37
	40	92.4	37	32	29	22	—
2	20	46.2	71	68	66	62	60
	30	69.3	60	57	52	59	45
	40	92.4	45	40	36	31	24
	50	115.5	22	15	—	—	—
2-1/2	20	46.2	81	79	76	74	71
	30	69.3	69	67	63	60	56
	40	92.4	56	51	47	44	38
	50	115.5	33	30	22	15	—

Tested and rated in accordance with Water Systems Council Standards.

**NOTE:** Pumps installed with a PRO-Source™ tank require a 100 PSI relief valve. Pumps with a conventional tank require a 75 PSI relief valve. Relief valve must be capable of relieving entire flow of pump at relief pressure.

**NOTE:** Dotted lines indicate performance reduction at high suction lift.

# General Purpose Centrifugal Pumps

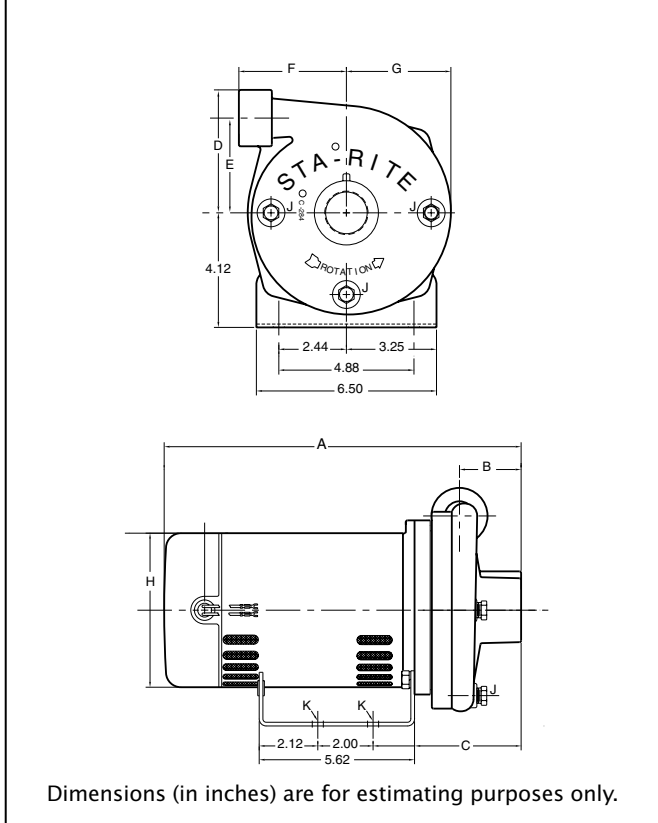
## PUMP PERFORMANCE (Capacity in Gallons Per Minute)

MEDIUM HEAD							
HP	Discharge Pressure		Dynamic Suction Lift				
	PSI	Feet Head	5'	10'	15'	20'	25'
1/3	10	23.1	32	27	18	—	—
	20	46.2	—	—	—	—	—
1/2	10	23.1	40	37	32	27	17
	20	46.2	—	—	—	—	—
3/4	10	23.1	—	50	46	42	32
	20	46.2	37	29	21	—	—
1	20	46.2	54	51	44	40	33
	30	69.3	33	28	18	—	—
1-1/2	20	46.2	71	69	62	57	51
	30	69.3	52	47	34	30	20
2	20	46.2	88	84	78	70	66
	30	69.3	67	60	50	45	40
	40	92.4	25	13	—	—	—
2-1/2	20	46.2	111	106	101	95	90
	30	69.3	90	83	77	70	60
	40	92.4	46	38	20	—	—

Tested and rated in accordance with Water Systems Council Standards.

**NOTE:** Pumps installed with a PRO-Source™ tank require a 100 PSI relief valve. Pumps with a conventional tank require a 75 PSI relief valve. Relief valve must be capable of relieving entire flow of pump at relief pressure.

## OUTLINE DIMENSIONS



Dimensions (in inches) are for estimating purposes only.

## DIMENSIONS (In Inches)

HIGH HEAD													
HP	NPT Suct.	NPT Disch.	A (1 Phase)	A (3 Phase)	B	C	D	E	F	G	H	NPT J	K
1/3	1-1/4	1	13	13-3/8	2-1/16	5-9/16	4-1/2	3-7/16	3-7/8	3-15/16	5-5/8	1/4	3/8 Dia.
1/2	1-1/4	1	11-21/32	13-3/8	2-1/16	5-9/16	4-1/2	3-7/16	3-7/8	3-15/16	5-5/8	1/4	3/8 Dia.
3/4	1-1/4	1	11-25/32	13-3/8	2-1/16	5-9/16	4-1/2	3-7/16	3-7/8	3-15/16	5-5/8	1/4	3/8 Dia.
1	1-1/4	1	12-25/32	13-7/8	2-1/16	5-9/16	4-1/2	3-7/16	3-7/8	3-15/16	5-5/8	1/4	3/8 Dia.
1-1/2	1-1/4	1	13-39/64	14-3/8	2-1/16	5-9/16	4-1/2	3-7/16	3-7/8	3-15/16	5-5/8	1/4	3/8 Dia.
2	1-1/2	1-1/4	16-3/4	16-15/16	2-13/16	6-5/16	4-27/32	3-13/32	4-5/8	4	6-7/16	1/4	3/8 Dia.
2-1/2	2	1-1/2	17-3/4	17-1/4	2-13/16	6-5/16	4-27/32	3-13/32	4-5/8	4	6-7/16	1/4	3/8 Dia.
MEDIUM HEAD													
1/3	1-1/4	1	12-9/16	12-15/16	1-7/16	5-1/8	4-7/16	3-1/4	2-1/4	3-1/4	5-5/8	1/4	3/8 Dia.
1/2	1-1/4	1	11-7/32	12-15/16	1-7/16	5-1/8	4-7/16	3-1/4	2-1/4	3-1/4	5-5/8	1/4	3/8 Dia.
3/4	1-1/4	1	11-31/32	12-15/16	1-7/16	5-1/8	4-7/16	3-1/4	2-1/4	3-1/4	5-5/8	1/4	3/8 Dia.
1	1-1/2	1-1/4	12-11/32	13-7/16	1-7/16	5-1/8	4-7/16	3-1/4	2-1/4	3-1/4	5-5/8	1/4	3/8 Dia.
1-1/2	1-1/2	1-1/4	13-25/32	14-9/16	2	5-3/4	4-13/16	3-1/2	4-1/4	3-15/16	5-5/8	1/4	3/8 Dia.
2	1-1/2	1-1/4	16-3/16	16-3/8	2	5-3/4	4-13/16	3-1/2	4-1/4	3-15/16	6-7/16	1/4	3/8 Dia.
2-1/2	2	1-1/2	17-3/16	16-11/16	2	5-3/4	4-13/16	3-1/2	4-1/4	3-15/16	6-7/16	1/4	3/8 Dia.