

Submersible Motor Controls



PENTEK® offers a full range of 1/2 - 15 HP models that are interchangeable with existing motor controls for Capacitor Start/Induction Run (CSIR) and Capacitor Start/Capacitor Run (CSCR) applications. PENTEK is the professional choice in harsh and high temperature installations.

APPLICATIONS

- **Water systems...** for residential, commercial, multiple housing and farm uses, where a submersible 3-wire motor is used.

FEATURES

Enclosure

Rugged NEMA 3R enclosure – Suitable for indoor/outdoor use.

NEW HardBond™ Finish – 5-times more corrosion-resistant.

Multiple-size Electrical Knockouts

Internals

High-load Voltage Relay

Heavy-duty Contacts

External Access to Overload Reset CSCR

Heavy-duty Terminal Connectors – Suitable for up to #4 AWG wire.

Industry Standard Wiring Connections – Easy-to-read wiring diagrams.

Agency Approvals – UL 778 and CUL Recognized (60 Hz)



PENTEK® is a registered trademark of Pentair Water.

HardBond™ is a trademark of Pentair Water.



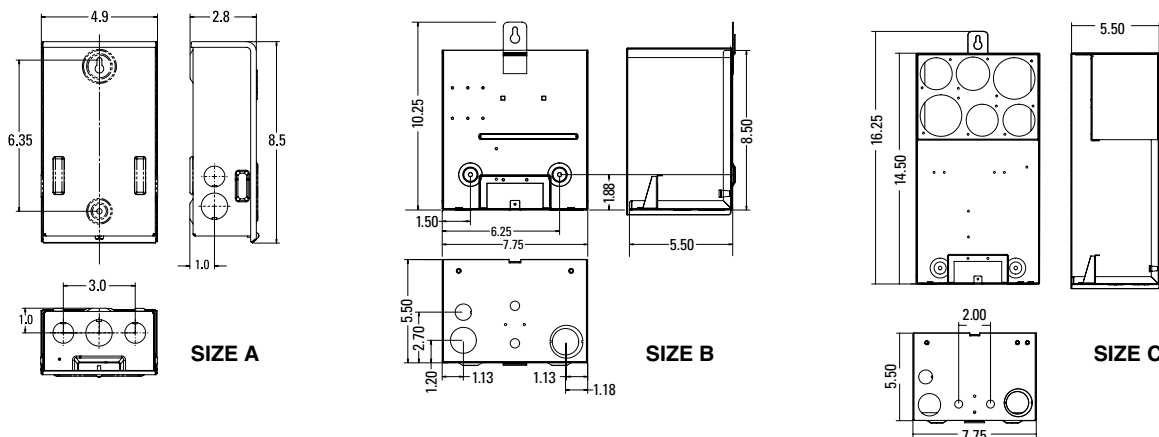
Submersible Motor Controls

ORDERING INFORMATION

HP	kW	PH	Volts	60 Hz Catalog Number	50 Hz Catalog Number	Weight		Enclosure Size
						Lbs	Kg	
CSIR – Capacitor Start/Induction Run								
1/2	0.37	1	115	SMC-IR0511 (-6pk)*		4	1.8	A
1/2	0.37	1	230	SMC-IR0521 (-6pk)*		4	1.8	A
3/4	0.55	1	230	SMC-IR0721 (-6pk)*		4	1.8	A
1	0.75	1	230	SMC-IR1021 (-6pk)*		4	1.8	A
CSCR – Capacitor Start/Capacitor Run								
1/2	0.37	1	230	SMC-CR0521 (-6pk)*	SMC5-CR0521	5	2.3	A
3/4	0.55	1	230	SMC-CR0721 (-6pk)*	SMC5-CR0721	5	2.3	A
1	0.75	1	230	SMC-CR1021 (-6pk)*	SMC5-CR1021	5	2.3	A
1-1/2	1.1	1	230	SMC-CR1521	SMC5-CR1521	7	3.2	B
2	1.5	1	230	SMC-CR2021	SMC5-CR2021	7	3.2	B
3	2.2	1	230	SMC-CR3021	SMC5-CR3021	7	3.2	B
5	3.7	1	230	SMC-CR5021	SMC5-CR5021	8	3.6	B
7-1/2	5.5	1	230	SMC-CR7521		12	5.4	C
10	7.5	1	230	SMC-CR10021		14	6.4	C
CSCR PLUS – Capacitor Start/Capacitor Run PLUS Magnetic Contactor								
2	1.5	1	230	SMC-CRP2021	SMC5-CRP2021	7	3.2	B
3	2.2	1	230	SMC-CRP3021	SMC5-CRP3021	8	3.6	B
5	3.7	1	230	SMC-CRP5021	SMC5-CRP5021	12	5.4	C
7-1/2	5.5	1	230	SMC-CRP7521		14	6.4	C
10	7.5	1	230	SMC-CRP10021		15	6.8	C
15	11	1	230	SMC-CRP15021		17	7.7	C

*Submersible Motor Controls are available in single and six packs. Include the suffix "-6pk" after the catalog number if 6 packs are required.

OUTLINE DIMENSIONS



Dimensions (in inches) are for estimating purposes only.