

PRO SERIES CHANNEL DRAINS

MODULAR CHANNEL DRAINS

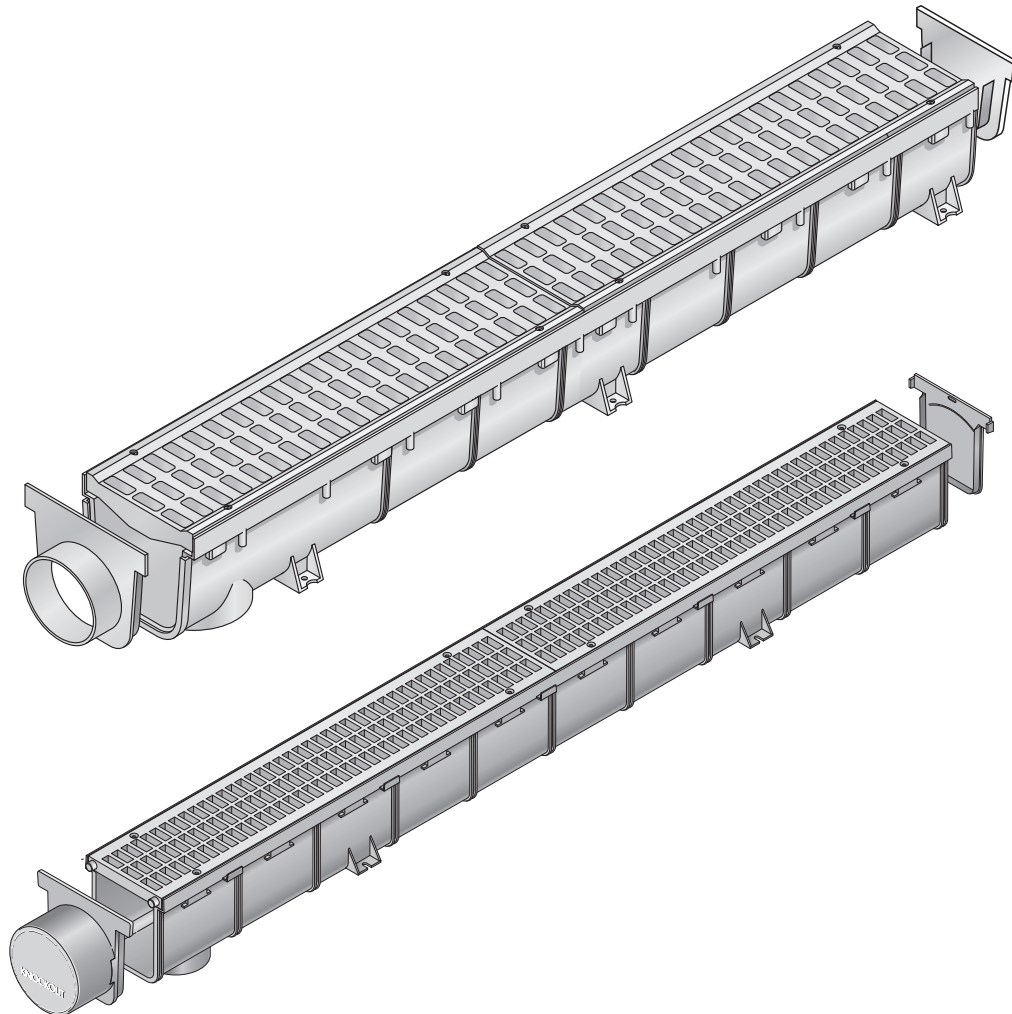


Pre-assembled Channel Drain Systems

Pre-assembled Modular Pro Series Channel Drains are efficient, easy to use and will decrease installation time. They quickly remove water from hardscapes as perimeter drains and direct it away from building structures or any other area requiring surface drainage.

The new 3" and 5" wide pre-assembled channel drains include one meter (39 3/4") of channel drain and grates, 1 end outlet, and 1 end cap. A bottom outlet is built into each channel section. This allows for easy ordering and less inventorying, as everything is included under one part number.

Our unique Pro Series interlocking channel design allows each channel to securely lock to the next for a secure, tight fit. This innovative and patented design eliminates the need for couplings. The pre-assembled Pro Series Channel drains are a great solution for your drainage needs.



Note: All dimensions are nominal. All weights are for shipping purposes only. Availability is subject to change.



NDS Customer Service
851 N. Harvard Ave, Lindsay, CA 93247
Phone: (800) 726-1994 • (559) 562-9888
Fax: (800) 726-1998 • (559) 562-4488
www.NDSPRO.com