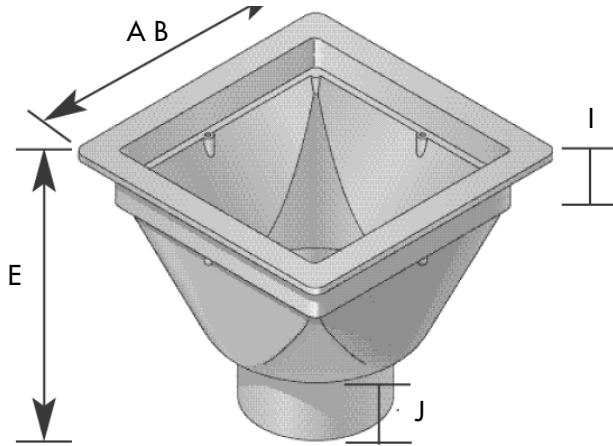


NDS 9" Catch Basin Adapters Spigot Adapter



Dimension Key

A	Top Width
B	Top Length
C	Bottom Width
D	Bottom Length
E	Height
F	Center of Flow from top of Box
G	Top of opening to top of box
H	Bottom of opening to bottom of box
I	Height of grating shelf
J	Length of Spigot
K	Weight

	A	B	C	D	E	F	G	H	I	J	K
Part Number											
931	10 7/8	10 7/8	N/A	N/A	8	N/A	N/A	N/A	1 1/8	2	2.4
933	10 7/8	10 7/8	N/A	N/A	8	N/A	N/A	N/A	1 1/8	2	0.3