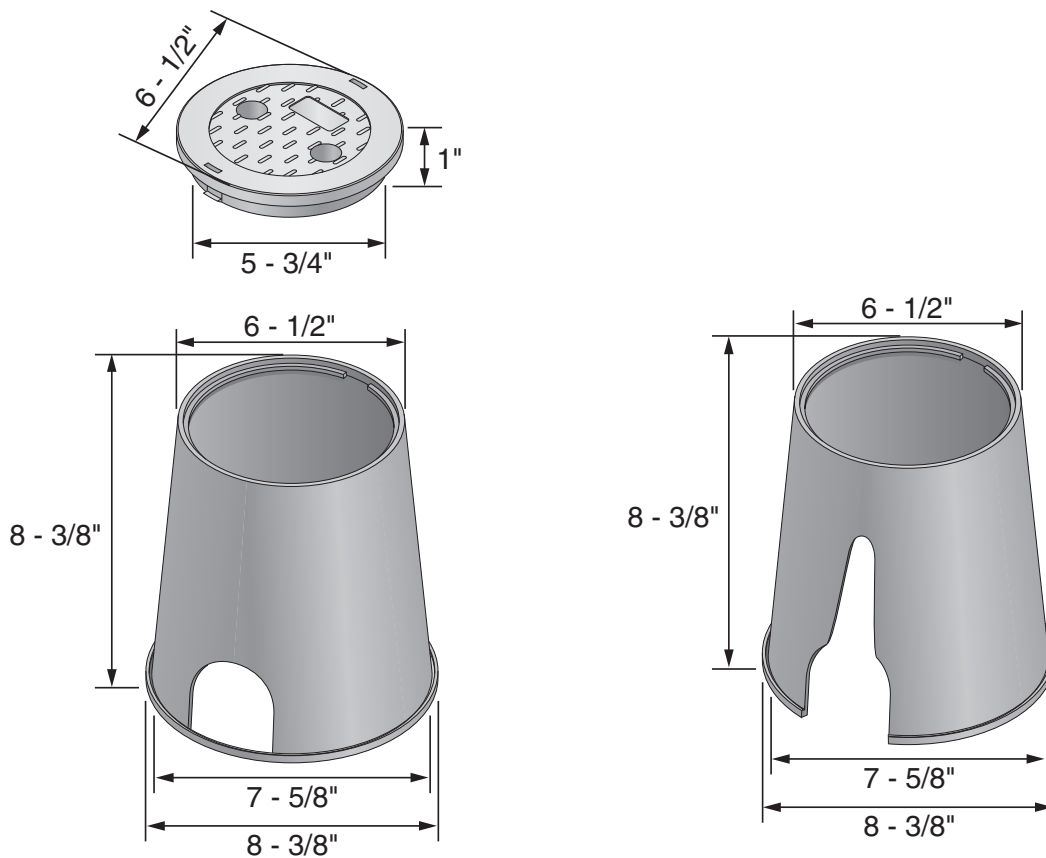


NDS Standard Series 6" Round Valve Boxes

Specifications: The NDS STANDARD SERIES 6" round valve boxes and covers are injection molded of structural foam polyolefin material with a melt index between 10-12. Coloring and UV stabilizers are added, along with processing lubricants when needed. The 6" round body shall be tapered and have a minimum wall thickness of .200". The body shall have a double wall at the top cover seat area with a minimum thickness of .130". The bottom of the body shall have a .250" flange. The 6" round cover shall have an average thickness of .187".



2-3/4" x 2-3/8" Pipe Slot

Part Number	Box Description	Cover Description - Marking	Color (Box/Cover)	Pallet Qty	Weight Ea
Box & Cover					
107BC	6" Round Box	Round Overlapping Cover - ICV	Black/Green	250	1.50
107BCH	6" Round Snap-In Valve Box	Round Snap-in Overlapping cover - ICV	Black/Green	250	1.50
107BC SAND	6" Round Box	Round Overlapping Cover - ICV	Sand/Sand	250	1.50
107EBC	6" Round Emitter Box	Round Overlapping Cover - Emitter Box	Black/Green	250	1.50
107BEC	6" Round Box,	Round Overlapping Emitter Cover	Black/Green	250	1.50
107BCR	6" Round Box	Round Overlapping Cover - Reclaimed Water	Black/Purple	250	1.50
107PBCR	6" Round Box	Overlapping Cover - Reclaimed Water	Purple/Purple	250	1.50
107PEBCR	6" Round Emitter Box	Round Overlapping Cover - QCV	Purple/Purple	250	1.50
107EBCR	6" Round Emitter Box	Round Overlapping Cover - Emitter Box	Black/Purple	250	1.50
107PEBCR QCV	6" Round Emitter Box	Round Overlapping Cover - QCV	Purple/Purple	250	1.50
107BCS	6" Round Box	Overlapping Cover - Sewer	Black/Green	250	1.50
Cover Only					
107C		6" Round Overlapping Cover - ICV	Green	800	0.40
107C SAND		6" Round Overlapping Cover - ICV	Sand	800	0.40
107CH		6" Round Snap-in Overlapping cover - ICV	Green	800	0.40
107CS		6" Round Overlapping Cover - Sewer	Green	800	0.40
107EC		6" Round Overlapping Cover - Emitter Box	Green	800	0.40
107EC QCV		6" Round Overlapping Cover - QCV	Green	800	0.40
107CR		6" Round Overlapping Cover - Reclaimed Water	Purple	800	0.40
107CR QCV		6" Round Overlapping Cover - QCV	Purple	800	0.40
107C CATV		6" Round Overlapping Cover - CATV	Green	800	0.40
107CW		6" Round Overlapping Cover - Water	Green	800	0.40
Box Only					
107B	6" Round Box		Black	250	1.10
107PB	6" Round Box		Purple	250	1.10
107B SAND	6" Round Box		Sand	250	1.10
106B	6" Round Snap-In Valve Box		Black	250	1.10
107EB	6" Round Emitter Box		Black	250	1.10
107PEB	6" Round Emitter Box		Purple	250	1.10

Call for additional options and availability

Properties of Unfoamed Resin

	ASTM Test Method	Polyolefin
Tensile Strength, Yield	ASTM D 638	3100-4400 PSI
Density	ASTM D 792	.900-.956
Notched Izod Impact Strength	ASTM D 256	4-15 ft. lbs/in.
Heat Deflection Temperature @ 66 PSI, Degrees F.	ASTM D 648	165-212 degrees F.

Shipping Configuration

	Box & Cover
Pallet	250
Pieces per Stack	10
Stack per Pallet	25
Pallet Dimensions	40"x48"x35 1/2"



NDS Customer Service

851 N. Harvard Ave
Lindsay, CA 93247
Phone: (800) 726-1994
(559) 562-9888
Fax: (800) 726-1998
(559) 562-4488

www.NDSPRO.com