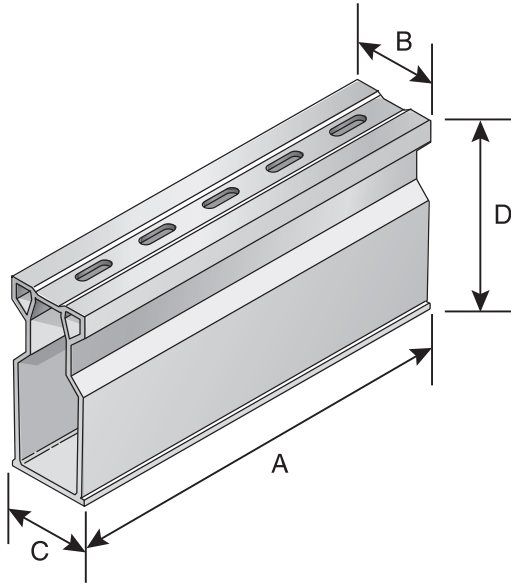


Micro Channel™ Drains



Dimension Key

- A: Length of channel
- B: Outer width of top channel
- C: Width of the bottom of the channel
- D: Height of channel
- E: Open Surface area per ft
- F: GPM capacity per ft
- G: Weight

Part Number	A	B	C	D	E	F	G
8001	10'	1.25	1 1/4	3 1/4	2.5 sq/ in	3.28/ft	5
8002	10'	1.25	1 1/4	3 1/4	2.5 sq/ in	3.28/ft	5
8003	10'	1.25	1 1/4	3 1/4	2.5 sq/ in	3.28/ft	5

Load Recommendation Guide

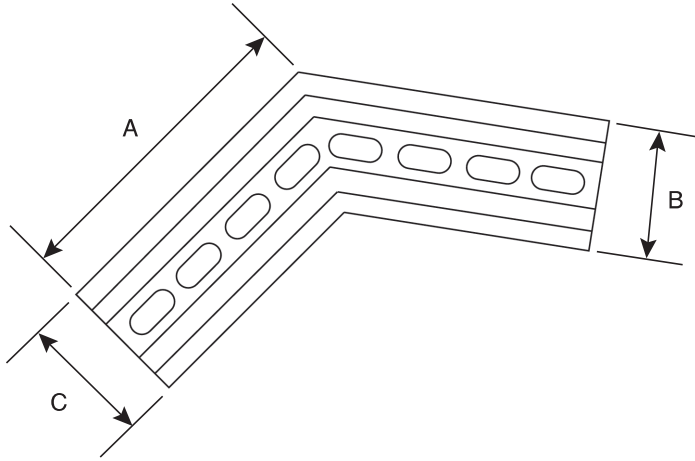


Class A

- Loads of 1-60 psi.
- Recommended for pedestrians, bicycles and wheel chair traffic.

Note: Some installations may require a concrete collar to meet load rating. Loads are based on encasing product in concrete. Product must be installed using NDS instructions.

Micro Channel™ Accessories Micro Channel 45° Elbow



Dimension Key

- A: Length of channel before bend
- B: Outer width of top channel
- C: Width of the bottom of the channel
- D: Height of channel
- E: Weight

Part Number	A	B	C	D	E
8301	3"	1.25	1 1/4	3 1/4	0.3
8302	3"	1.25	1 1/4	3 1/4	0.3
8303	3"	1.25	1 1/4	3 1/4	0.3

Load Recommendation Guide

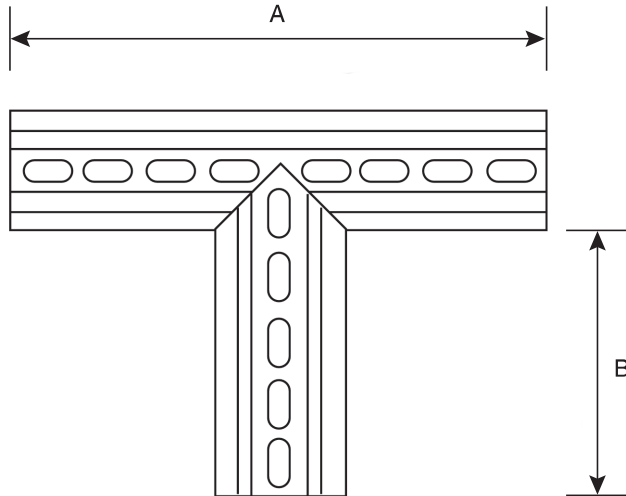


Class A

- Loads of 1-60 psi.
- Recommended for pedestrians, bicycles and wheel chair traffic.

Note: Some installations may require a concrete collar to meet load rating. Loads are based on encasing product in concrete. Product must be installed using NDS instructions.

Micro Channel™ Accessories Micro Channel Tee



Dimension Key

- A: Width of channel at top of "T"
- B: Height of channel prior to top of "T"
- C: Weight

*note: Please see catalog

Part Number	A	B	C
8371	3"	2"	0.4
8372	3"	2"	0.4
8373	3"	2"	0.4

Load Recommendation Guide

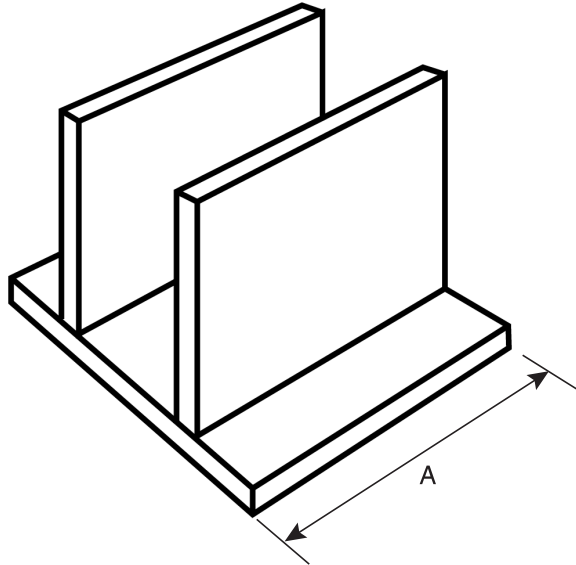


Class A

- Loads of 1-60 psi.
- Recommended for pedestrians, bicycles and wheel chair traffic.

Note: Some installations may require a concrete collar to meet load rating. Loads are based on encasing product in concrete. Product must be installed using NDS instructions.

Micro Channel™ Accessories Micro Hold Down Clips



Dimension Key

A: Length of hold down clip
B: Weight

Part Number	A	B
8601	4"	.1

Load Recommendation Guide

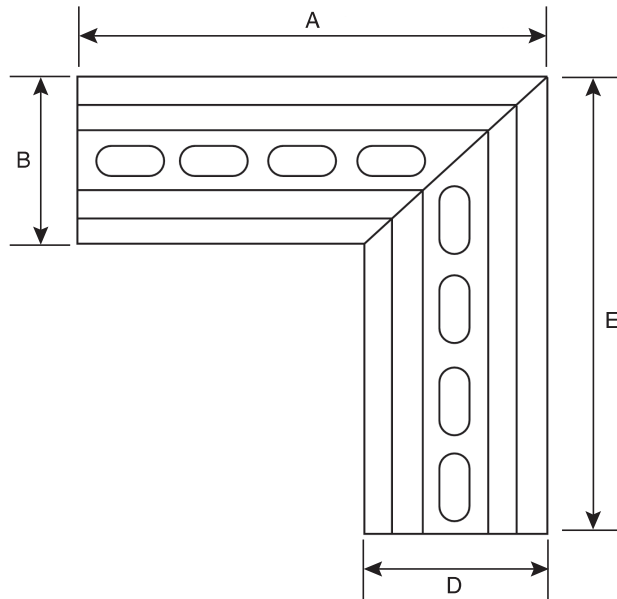


Class A

- Loads of 1-60 psi.
- Recommended for pedestrians, bicycles and wheel chair traffic.

Note: Some installations may require a concrete collar to meet load rating. Loads are based on encasing product in concrete. Product must be installed using NDS instructions.

Micro Channel™ Accessories Micro Channel 90° Elbow



Dimension Key

- A: Length of channel before bend
- B: Outer width of top channel
- C: Inside width of top channel
- D: Width of the bottom of the channel
- E: Height of channel
- F: Weight

Part Number	A	B	C	D	E	F
8381	3"	1.25	N/A	1 1/4	3 1/4	0.4
8382	3"	1.25	N/A	1 1/4	3 1/4	0.4
8383	3"	1.25	N/A	1 1/4	3 1/4	.4

Load Recommendation Guide

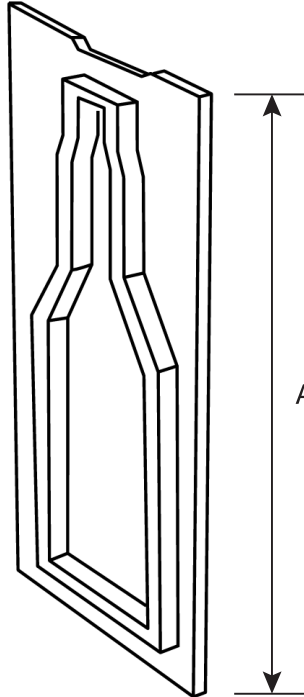


Class A

- Loads of 1-60 psi.
- Recommended for pedestrians, bicycles and wheel chair traffic.

Note: Some installations may require a concrete collar to meet load rating. Loads are based on encasing product in concrete. Product must be installed using NDS instructions.

Micro Channel™ Accessories Micro End Plug



Dimension Key

A: Height
B: Weight

Part Number	A	B
8471	3 1/4	0.05
8472	3 1/4	0.05
8473	3 1/4	0.05

Load Recommendation Guide

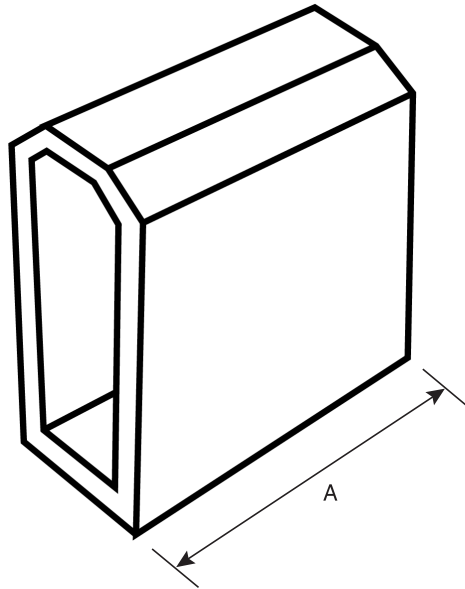


Class A

- Loads of 1-60 psi.
- Recommended for pedestrians, bicycles and wheel chair traffic.

Note: Some installations may require a concrete collar to meet load rating. Loads are based on encasing product in concrete. Product must be installed using NDS instructions.

Micro Channel™ Accessories Micro Channel Couplings



Dimension Key

A: Length of coupling
B: Weight

Part Number	A	B
8481	4"	.1

Load Recommendation Guide

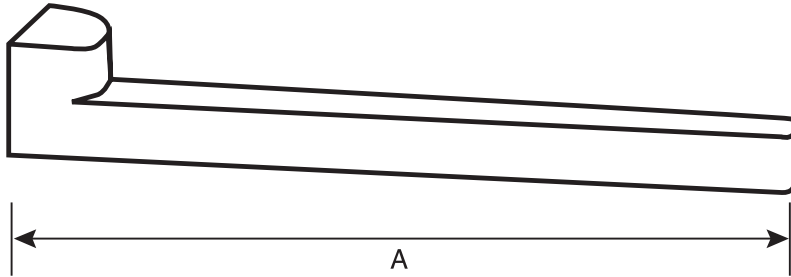


Class A

- Loads of 1-60 psi.
- Recommended for pedestrians, bicycles and wheel chair traffic.

Note: Some installations may require a concrete collar to meet load rating. Loads are based on encasing product in concrete. Product must be installed using NDS instructions.

Micro Channel™ Accessories 6" Channel Installation Stake



Dimension Key

A: Length of stake
B: Weight

Part Number	A	B
230	6"	.4



Load Recommendation Guide



Class A

- Loads of 1-60 psi.
- Recommended for pedestrians, bicycles and wheel chair traffic.



Class B

- Loads of 61-175 psi.
- Recommended for medium-duty pneumatic tire traffic, autos and light trucks at speeds less than 20 m.p.h.



Class C

- Loads of 176-325 psi.
- Recommended for heavy-duty pneumatic tire forklifts and tractor trailers at speeds less than 20 m.p.h., H-20 rated.



Class D

- Loads of 326-575 psi.
- Recommended for heavy-duty hard tire forklifts at speeds less than 20 m.p.h., H-20 rated.

Note: Some installations may require a concrete collar to meet load rating. Loads are based on encasing product in concrete. Product must be installed using NDS instructions.



NDS Customer Service

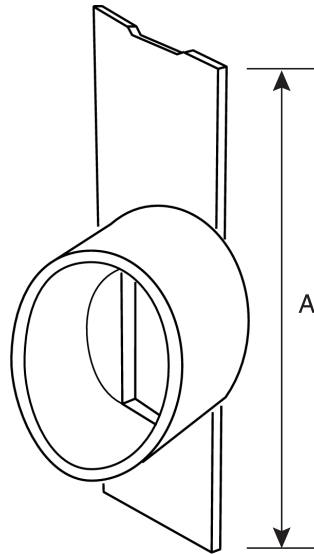
851 N. Harvard Ave
Lindsay, CA 93247

Phone: (800) 726-1994
(559) 562-9888

Fax: (800) 726-1998
(559) 562-4488

www.NDSPRO.com

Micro Channel™ Accessories Micro 1-1/2" Sch. 40 Spigot End Outlet



Dimension Key

- A: Height
- B: Center of Flow
- C: Weight

Part Number	A	B	C
8461	3 1/4	1.25	0.1
8462	3 1/4	1.25	0.1
8463	3 1/4	1.25	0.1

Load Recommendation Guide

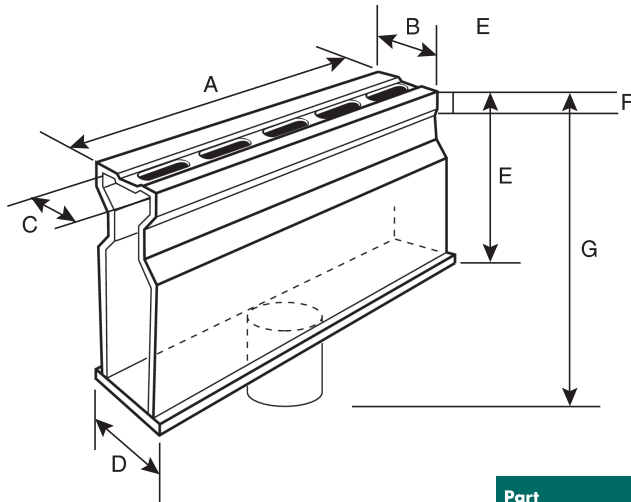


Class A

- Loads of 1-60 psi.
- Recommended for pedestrians, bicycles and wheel chair traffic.

Note: Some installations may require a concrete collar to meet load rating. Loads are based on encasing product in concrete. Product must be installed using NDS instructions.

Micro Channel™ Accessories Micro 1-1/2" Sch. 40 Spigot Bottom Outlet



Dimension Key

- A: Length of channel
- B: Outer width of top channel
- C: Inside width of top channel
- D: Width of the bottom of the channel
- E: Height of channel
- F: Height of grate lip
- G: Height including outlet
- H: Weight

Part Number	A	B	C	D	E	F	G	H
8501	6"	1.25	N/A	1 1/4	3 1/4	N/A	4 1/4	0.35
8502	6"	1.25	N/A	1 1/4	3 1/4	N/A	4 1/4	0.35
8503	6"	1.25	N/A	1 1/4	3 1/4	N/A	4 1/4	0.35

Load Recommendation Guide



Class A

- Loads of 1-60 psi.
- Recommended for pedestrians, bicycles and wheel chair traffic.

Note: Some installations may require a concrete collar to meet load rating. Loads are based on encasing product in concrete. Product must be installed using NDS instructions.

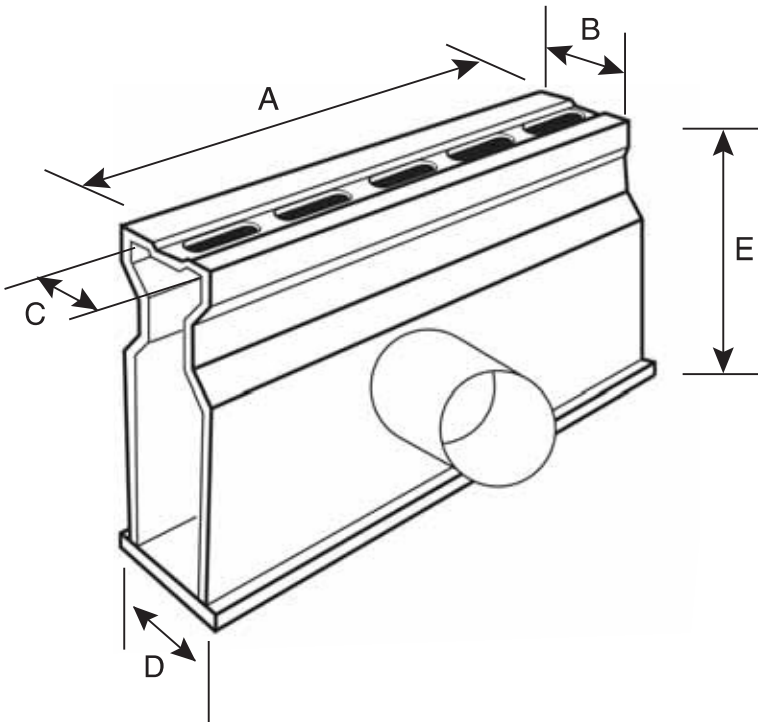


NDS Customer Service

851 N. Harvard Ave, Lindsay, CA 93247
Phone: (800) 726-1994 • (559) 562-9888
Fax: (800) 726-1998 • (559) 562-4488

www.NDSPRO.com

Micro Channel™ Accessories Micro 1-1/2" Sch. 40 Spigot Side Outlet



Dimension Key

- A: Length of channel
- B: Outer width of top channel
- C: Inside width of top channel
- D: Width of the bottom of the channel
- E: Height of channel
- F: Weight

Part Number	A	B	C	D	E	F
8511	6"	1.25	N/A	1 1/4	3 1/4	.35
8512	6"	1.25	N/A	1 1/4	3 1/4	.35
8513	6"	1.25	N/A	1 1/4	3 1/4	.35

Load Recommendation Guide

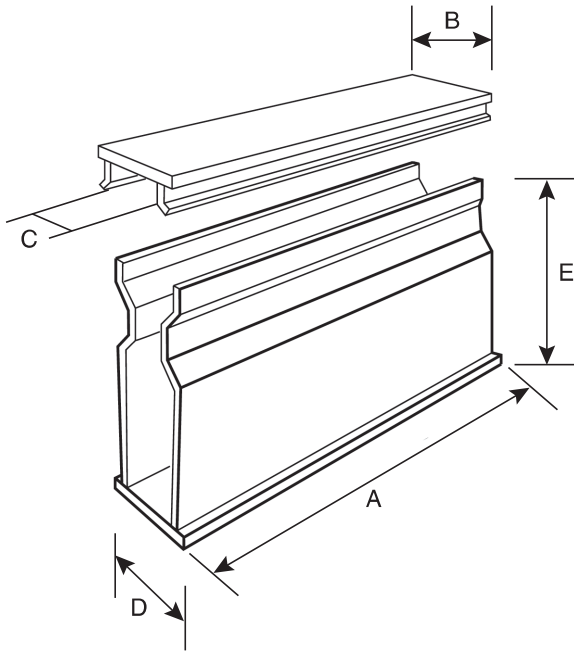


Class A

- Loads of 1-60 psi.
- Recommended for pedestrians, bicycles and wheel chair traffic.

Note: Some installations may require a concrete collar to meet load rating. Loads are based on encasing product in concrete. Product must be installed using NDS instructions.

Micro Channel™ Accessories Micro Channel Clean Out



Dimension Key

- A Length of channel
- B Outer width of top channel
- C Inside width of top channel
- D Width of the bottom of the channel
- E Height of channel
- F Weight

Part Number	A	B	C	D	E	F
8651	3"	1.25	N/A	1 1/4	3 1/4	.3
8652	3"	1.25	N/A	1 1/4	3 1/4	.3
8653	3"	1.25	N/A	1 1/4	3 1/4	.3

Load Recommendation Guide



Class A

- Loads of 1-60 psi.
- Recommended for pedestrians, bicycles and wheel chair traffic.

Note: Some installations may require a concrete collar to meet load rating. Loads are based on encasing product in concrete. Product must be installed using NDS instructions.