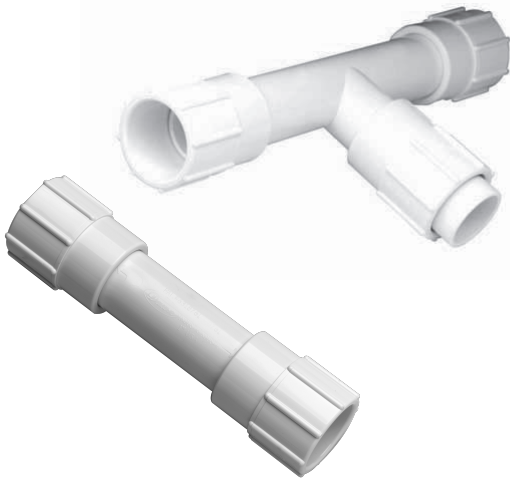


KwikRepair™

Specifications



Part Numbers	Description	Box Quantity
KwikRepair Tees		
KRT401-005	1/2" x 1/2" x 1/2"	10
KRT401-007	3/4" x 3/4" x 3/4"	10
KRT401-010	1" x 1" x 1"	10
KRT401-012	1 1/4" x 1 1/4" x 1 1/4"	5
KRT401-015	1 1/2" x 1 1/2" x 1 1/2"	5
KRT401-020	2" x 2" x 2"	5
KwikRepair Couplers		
KRC429-005	1/2" x 1/2"	10
KRC429-007	3/4" x 3/4"	10
KRC429-010	1" x 1"	10
KRC429-012	1 1/4" x 1 1/4"	10
KRC429-015	1 1/2" x 1 1/2"	10
KRC429-020	2" x 2"	10
KRC429-025	2 1/2" x 2 1/2"	5
KRC429-030	3" x 3"	5
KRC429-040	4" x 4"	5

Specifications

Collapsed Extended O.D. I.D.

KwikRepair Tees

	L	H	W	L	H	W	O.D.	I.D.
KRT401-005	6" x 3 1/4" x 1"	7 1/2" x 4 1/4" x 1"	1 1/4"	1/2"				
KRT401-007	6 1/2" x 4" x 1 1/2"	8 1/2" x 4 3/4" x 1 1/2"	1 1/2"	3/4"				
KRT401-010	7 1/2" x 4 1/4" x 1 3/4"	9 1/4" x 5 1/4" x 1 3/4"	1 3/4"	1"				
KRT401-012	8 1/4" x 5" x 2"	10 1/2" x 6" x 2"	2"	1 1/4"				
KRT401-015	10 1/4" x 6" x 2 1/4"	12 1/2" x 7" x 2 1/4"	2 1/4"	1 5/8"				
KRT401-020	11" x 6 1/2" x 2 3/4"	13 1/2" x 8" x 2 3/4"	2 3/4"	1 1/4"				

Measurements

KwikRepair Couplers

	L	H	W	L	H	W	O.D.	I.D.
KRC429-005	4" x 1 1/4" x 1 1/4"	5 3/4" x 1 1/4" x 1 1/4"	1 1/4"	1/2"				
KRC429-007	4 1/2" x 1 1/2" x 1 1/2"	6 1/4" x 1 1/2" x 1 1/2"	1 1/2"	3/4"				
KRC429-010	4 3/4" x 1 3/4" x 1 3/4"	7" x 1 3/4" x 1 3/4"	1 3/4"	1"				
KRC429-012	5 1/4" x 2" x 2"	7 1/2" x 2" x 2"	2"	1 1/2"				
KRC429-015	6" x 2 1/4" x 2 1/4"	9 1/2" x 2 1/4" x 2 1/4"	2 1/4"	1 5/8"				
KRC429-020	6 3/4" x 2 3/4" x 2 3/4"	9 1/2" x 2 3/4" x 2 3/4"	2 3/4"	2"				
KRC429-025	9" x 3 1/2" x 3 1/2"	12" x 3 1/2" x 3 1/2"	3 1/2"	2 1/2"				
KRC429-030	9 1/2" x 4" x 4"	13 1/2" x 4" x 4"	4"	3"				
KRC429-040	10" x 5 1/4" x 5 1/4"	14 1/2" x 5 1/4" x 5 1/4"	5 1/4"	4"				

Material

PVC

Independent Testing

1/2" - 450 PSI	1 1/4" - 278 PSI	2 1/2" - 225 PSI
3/4" - 360 PSI	1 1/2" - 248 PSI	3" - 165 PSI
1" - 338 PSI	2" - 210 PSI	4" - 135 PSI

Application

KwikRepair is the Only Permanent Solvent Weld PVC Repair Fitting. Use to replace defective fittings or add to existing systems. Especially effective in limited space applications.

The sleeve slides onto the pipe, eliminating bending or flexing.

Outdoor use only

Install Tools Needed

Primer, Solvent Glue and KwikCut ratchet cutter.

Manufactured In

Arvada, Colorado USA

