



QVC Series Compact Ball Valves

1/2" TO 4" PVC

KEY FEATURES

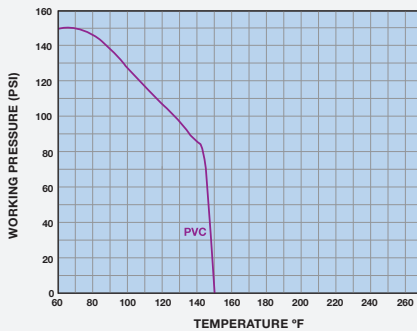
- Gray and White PVC
- Compact and Lightweight Design
- Low Torque Easy 1/4-Turn Operation
- Santoprene® (TPV) Seats
- EPDM O-Ring Seals
- No Internal Parts to Replace

SELECTION CHART

SIZE	MATERIAL	END CONNECTION	SEALS	PRESSURE RATING
1/2" – 4" (DN15 – DN100)	PVC (Gray or White)	Socket or Threaded	EPDM	150 PSI @ 70°F Non-Shock

TECHNICAL INFORMATION

OPERATING TEMPERATURE / PRESSURE



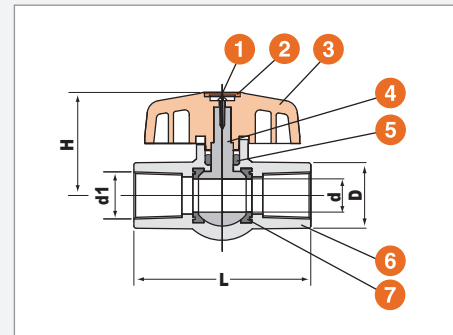
PRESSURE LOSS CALCULATION FORMULA

$$\Delta P = \left[\frac{Q}{C_v} \right]^2$$

ΔP = Pressure Drop
 Q = Flow in GPM
 C_v = Flow Coefficient

PARTS LIST

1. Screw
2. Cap
3. Handle
4. Ball
5. O-Ring
6. Body
7. Seat



DIMENSIONS – INCHES / MILLIMETERS

SIZE in / DN	d1 in / mm	D in / mm	d in / mm	L in / mm	H in / mm
1/2 / 15	.83 / 21	1.24 / 31	.80 / 20	2.90 / 74	1.78 / 45
3/4 / 20	1.05 / 27	1.45 / 37	.89 / 23	3.04 / 77	2.01 / 51
1 / 25	1.31 / 33	1.77 / 45	1.08 / 27	4.00 / 102	2.26 / 57
1-1/4 / 32	1.66 / 42	2.07 / 53	1.06 / 27	4.30 / 109	2.66 / 68
1-1/2 / 40	1.90 / 48	2.49 / 63	1.14 / 29	4.80 / 122	2.91 / 74
2 / 50	2.37 / 60	3.01 / 76	1.42 / 36	5.70 / 145	3.32 / 84
2-1/2 / 63	2.87 / 73	3.54 / 90	1.80 / 46	7.20 / 183	4.07 / 103
3 / 80	3.50 / 89	4.25 / 108	2.40 / 61	9.30 / 236	4.47 / 114
4 / 100	4.50 / 114	5.21 / 132	2.52 / 64	10.10 / 257	4.89 / 124

Dimensions are subject to change without notice – consult factory for installation information



Hayward is a registered trademark of Hayward Industries, Inc. © 2011 Hayward Industries, Inc.

– Santoprene is a registered trademark of Advanced Elastomer Systems.

Contact Hayward Flow Control with questions: 1-888-429-4635 • Fax: 1-888-778-8410 • One Hayward Industrial Drive • Clemmons, NC 27012 • USA
Visit us at: www.haywardflowcontrol.com • E-mail: hflow@haywardnet.com