

# BRONZE WASHING MACHINE VALVES

BALL TYPE - DUO CLOSE  
I.P.S.



**MODEL  
S-11**

**MODEL  
T-11**

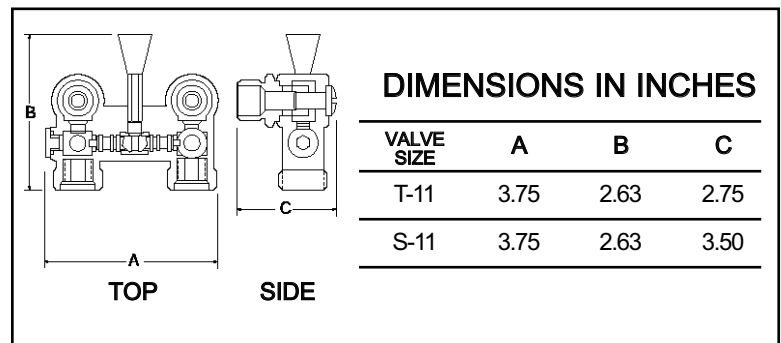
MATERIAL SPECIFICATION	
PART	MATERIAL
BODY	BRONZE
STEM	BRASS
SCREWS	STAINLESS STEEL
BALL	BRONZE
SEATS	TEFLON*

\*DUPONT REG T.M.

**PRESSURE RATING**  
150 W.O.G. NON-SHOCK  
**MAX. TEMPERATURE 180 F**

LEGEND MODEL T-11 and S-11 washing machine shut-off valves are constructed of heavy-duty bronze. They provide control of both hot and cold water supply. The single lever control makes it easy to shut-off the water, thereby protecting the washing machine's hoses and inner working parts. The ball type design can be used to throttle water flow and ease the water hammer shock caused by solenoid valves.

MODEL T-11 has a combination 1/2" M.I.P. and 1/2" solder inlet connection.



# PRESSURE RELIEF VALVE

CAST BRASS  
I.P.S.

**MODEL  
T-50**



LEGEND MODEL T-50 pressure relief valves are for protection against excessive pressure. Recommended for all water system installations to protect against damage to piping and pressure tanks. They are set at 75 P.S.I. and are adjustable to 150 P.S.I.

MATERIAL SPECIFICATION	
PART	MATERIAL
BODY	BRASS
OUTER CAP	BRASS
INNER CAP	BRASS
SEAT RETAINER	BRASS
SEAT	NBR (NITRILE)
SPRING	STAINLESS STEEL
SEAT SCREW	BRASS
CAP WASHER	FIBER

**PRESSURE RATING**  
ADJUSTABLE FROM  
75 TO 150 P.S.I.

